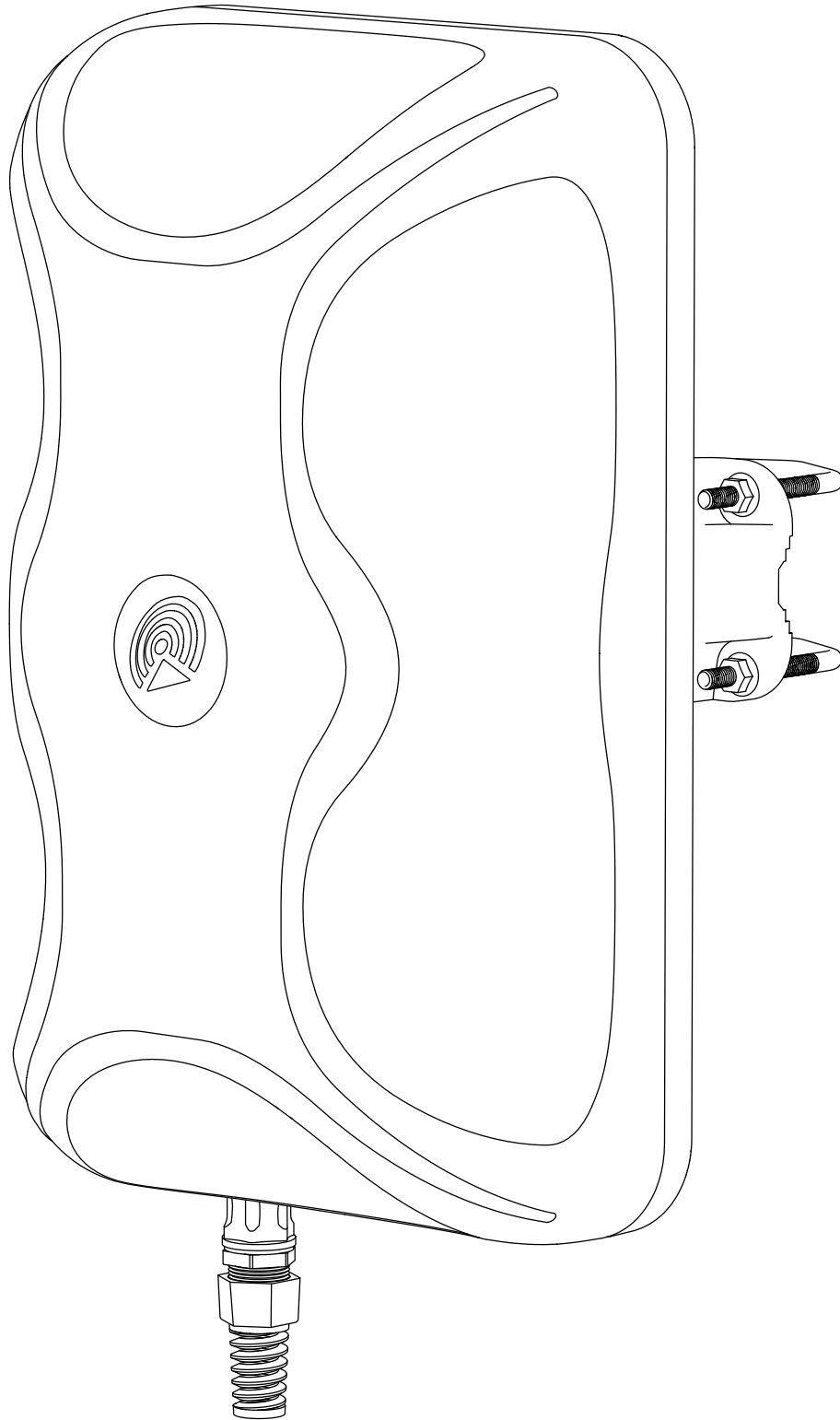
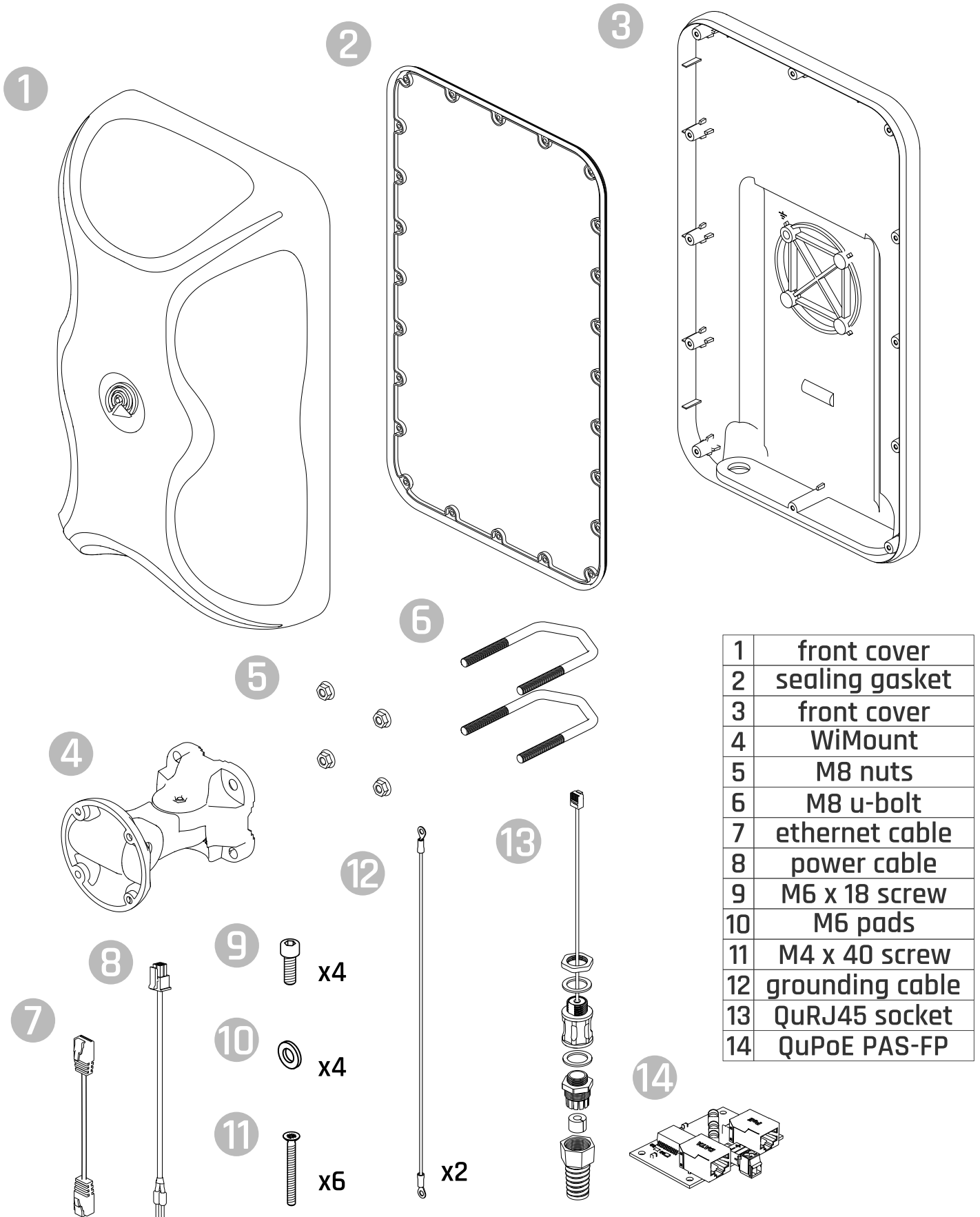


Quick Installation Guide

Antenna QuMax for Teltonika TRB500

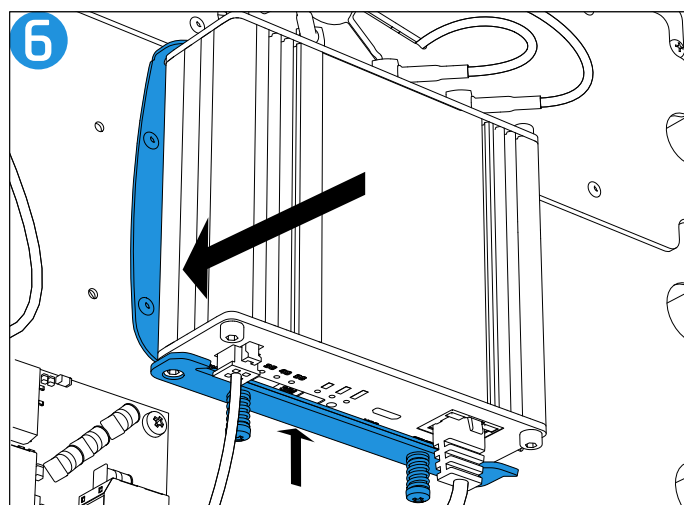
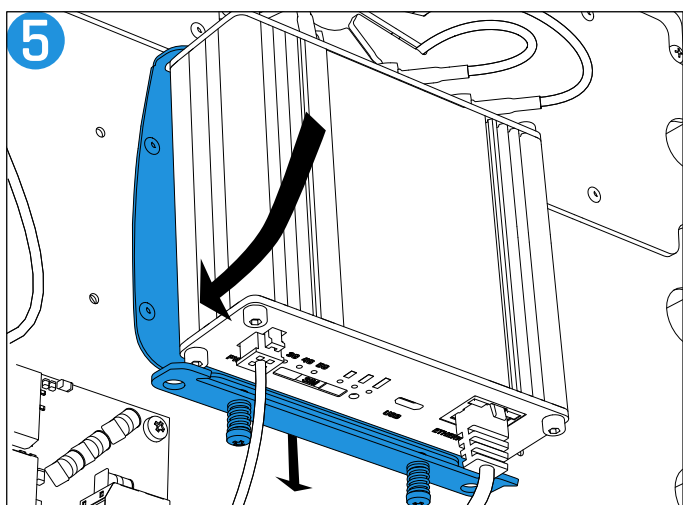
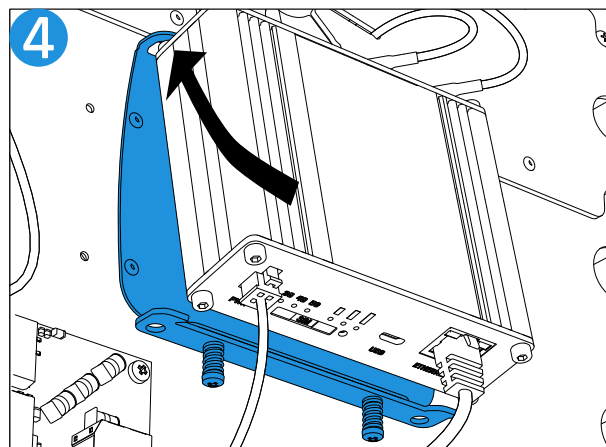
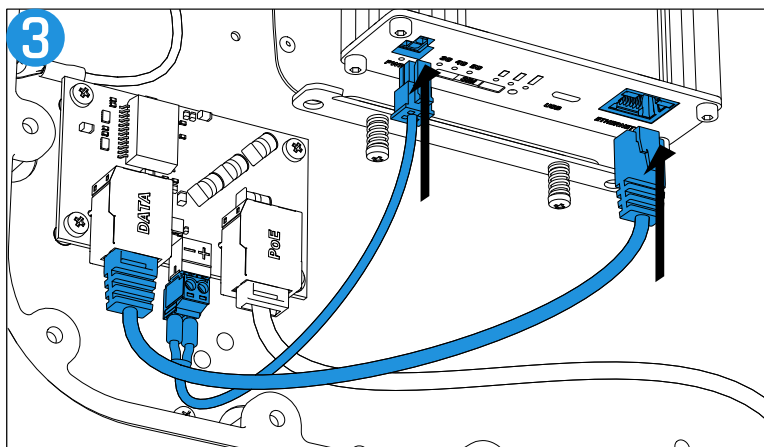
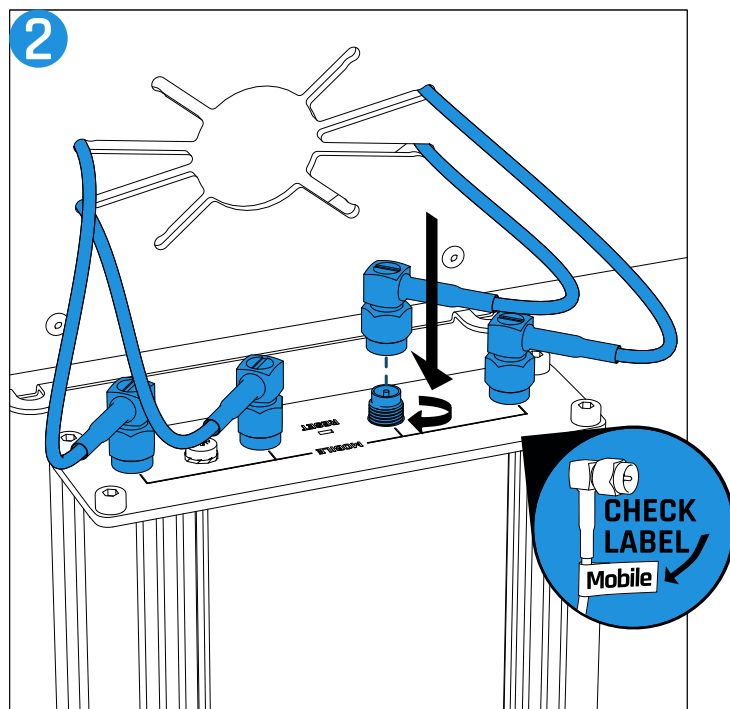
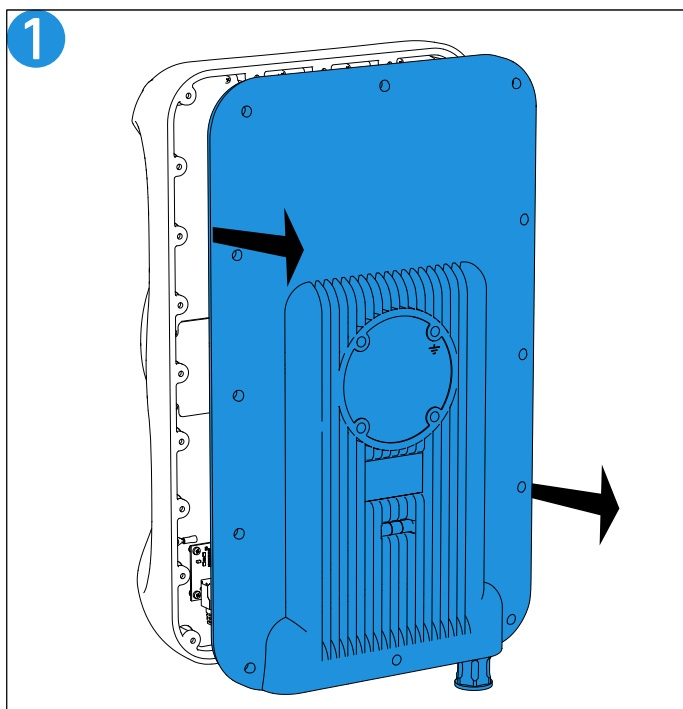


What's inside

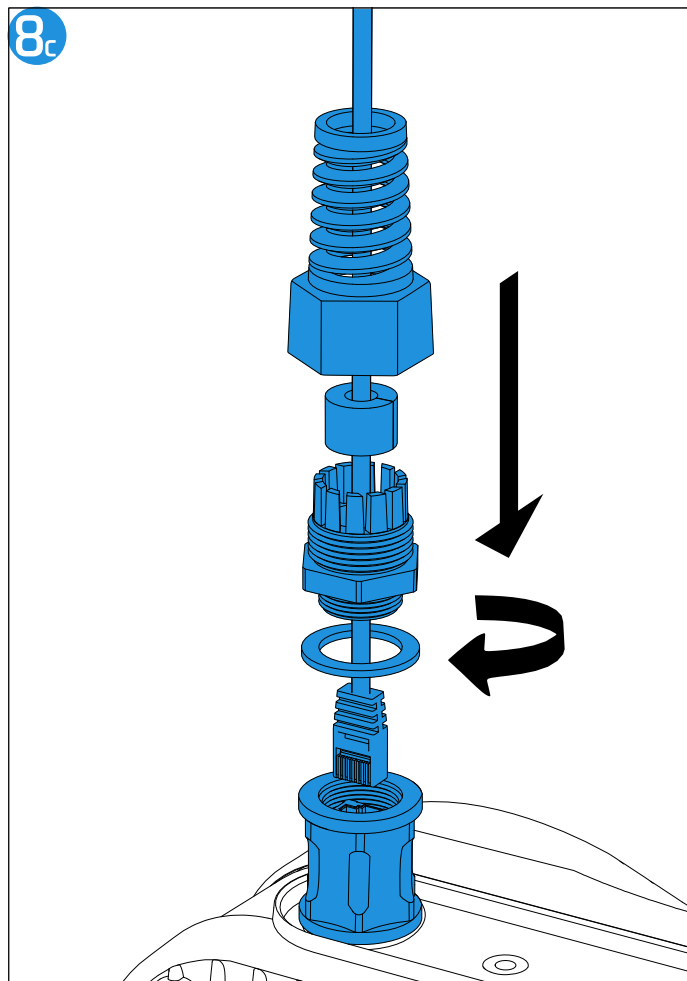
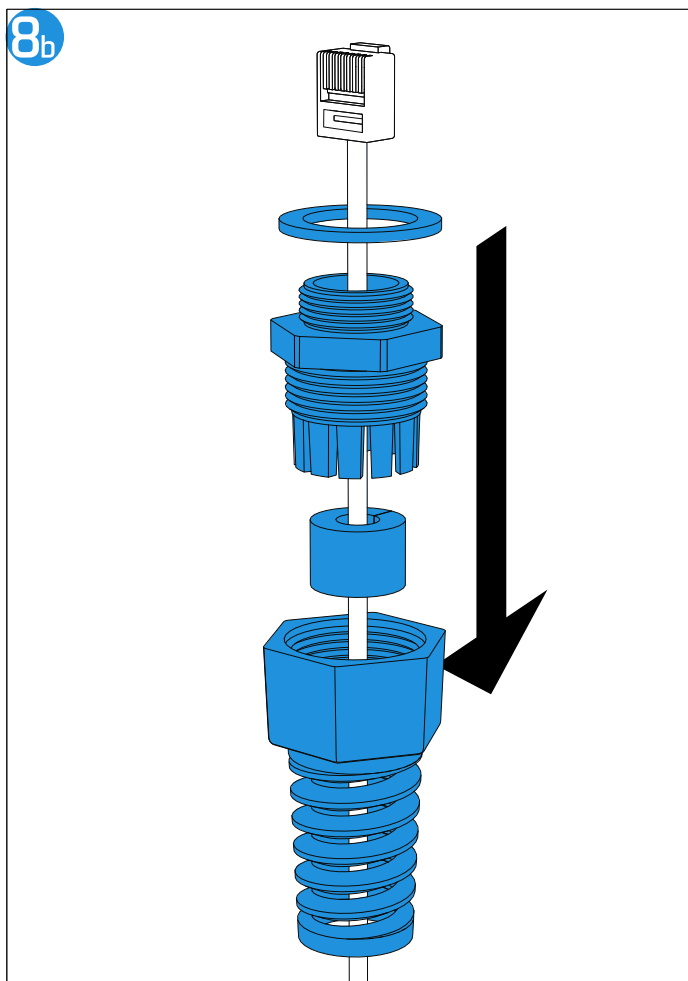
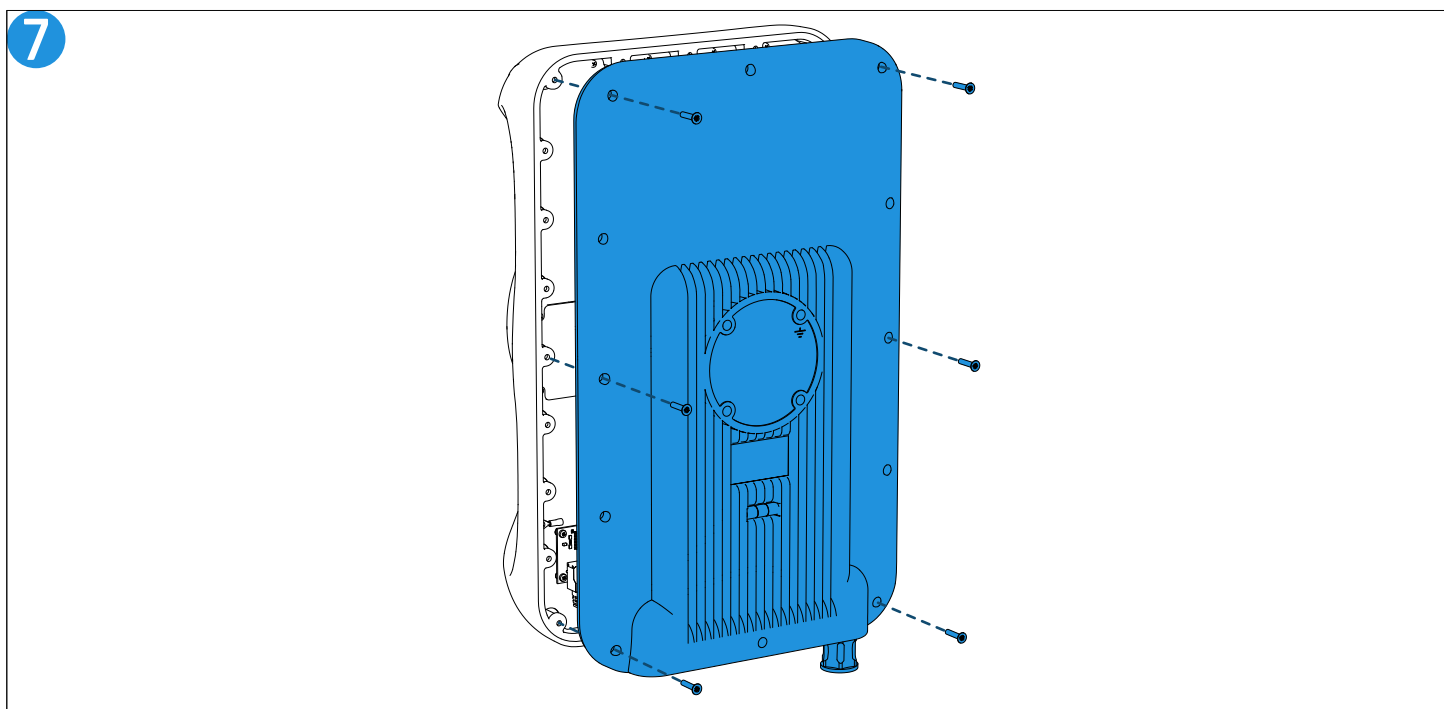


1	front cover
2	sealing gasket
3	front cover
4	WiMount
5	M8 nuts
6	M8 u-bolt
7	ethernet cable
8	power cable
9	M6 x 18 screw
10	M6 pads
11	M4 x 40 screw
12	grounding cable
13	QuRJ45 socket
14	QuPoE PAS-FP

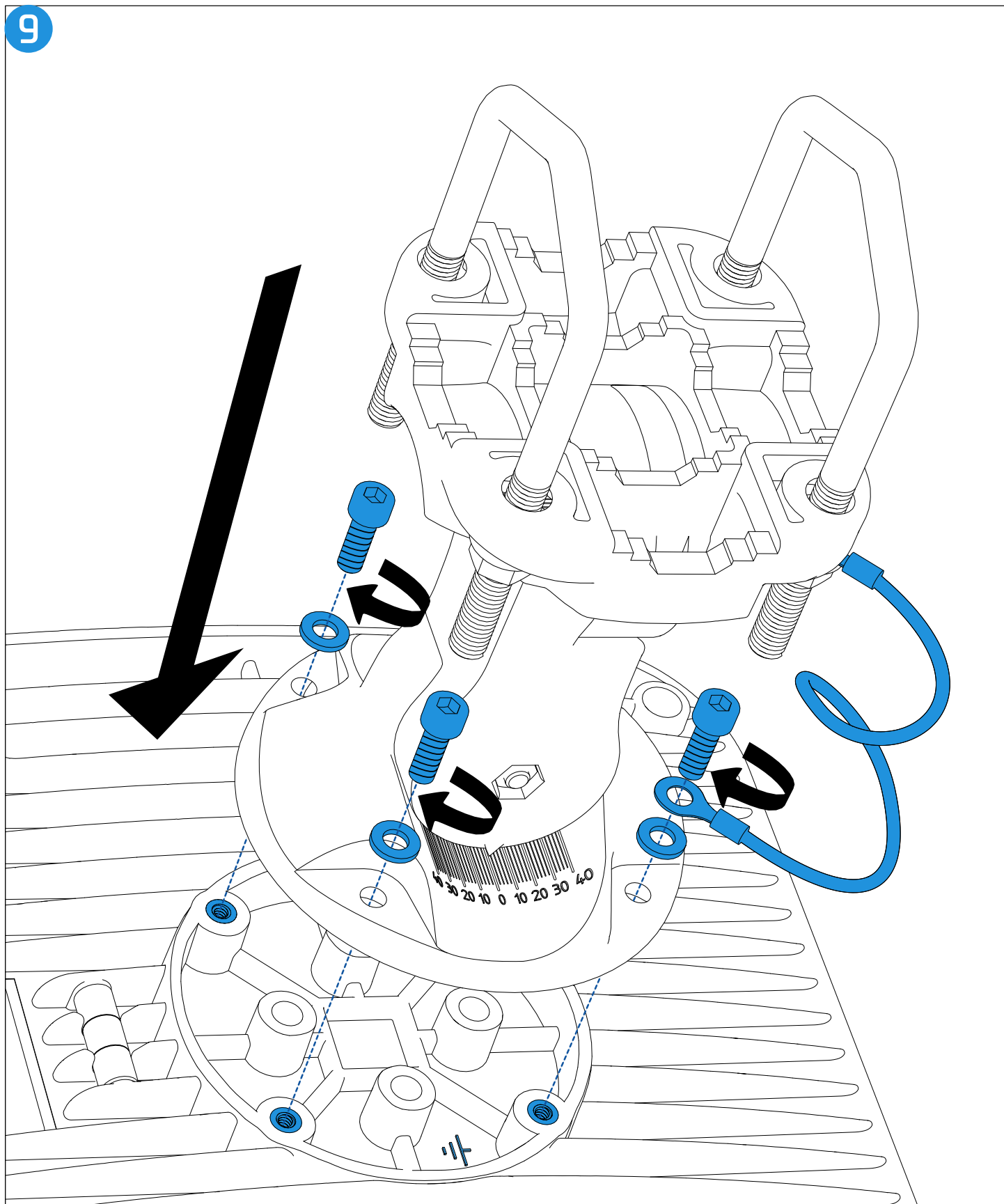
Antenna Installation



Antenna Installation

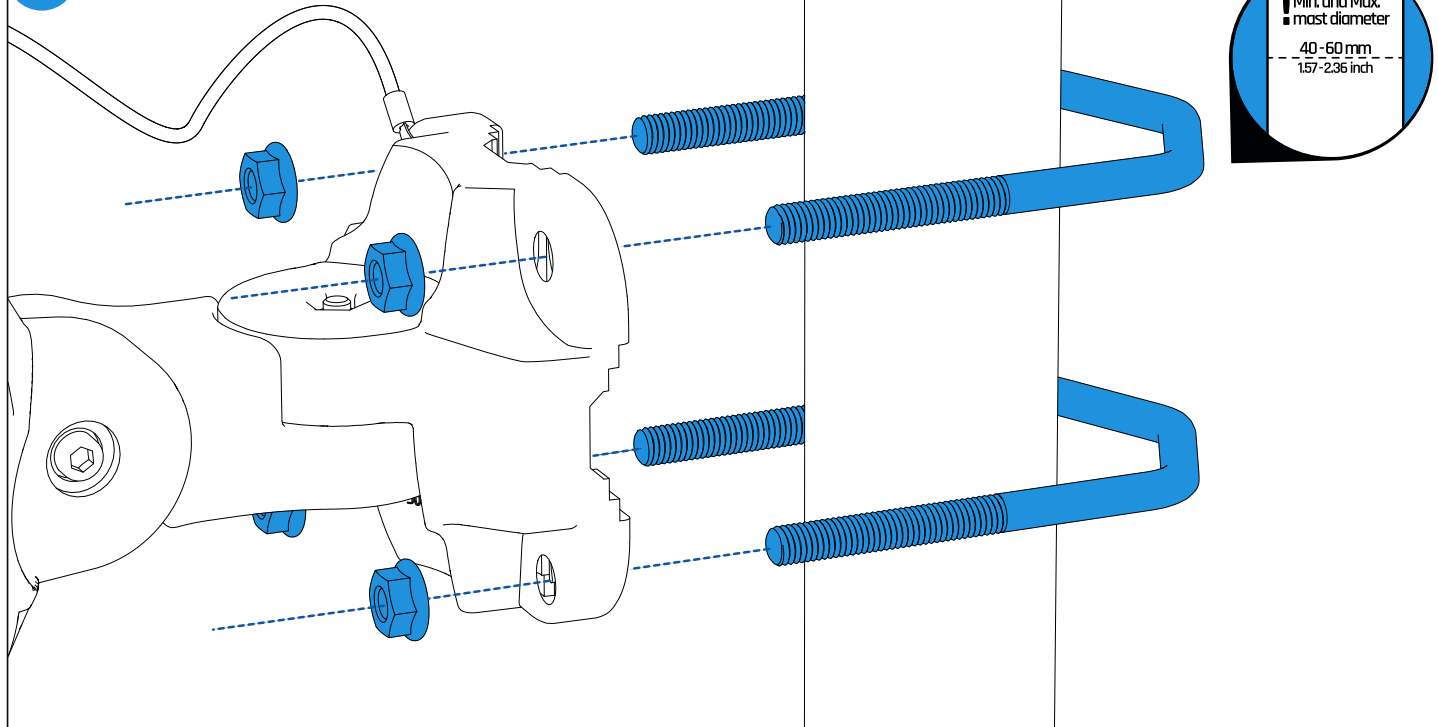


WiMount Installation

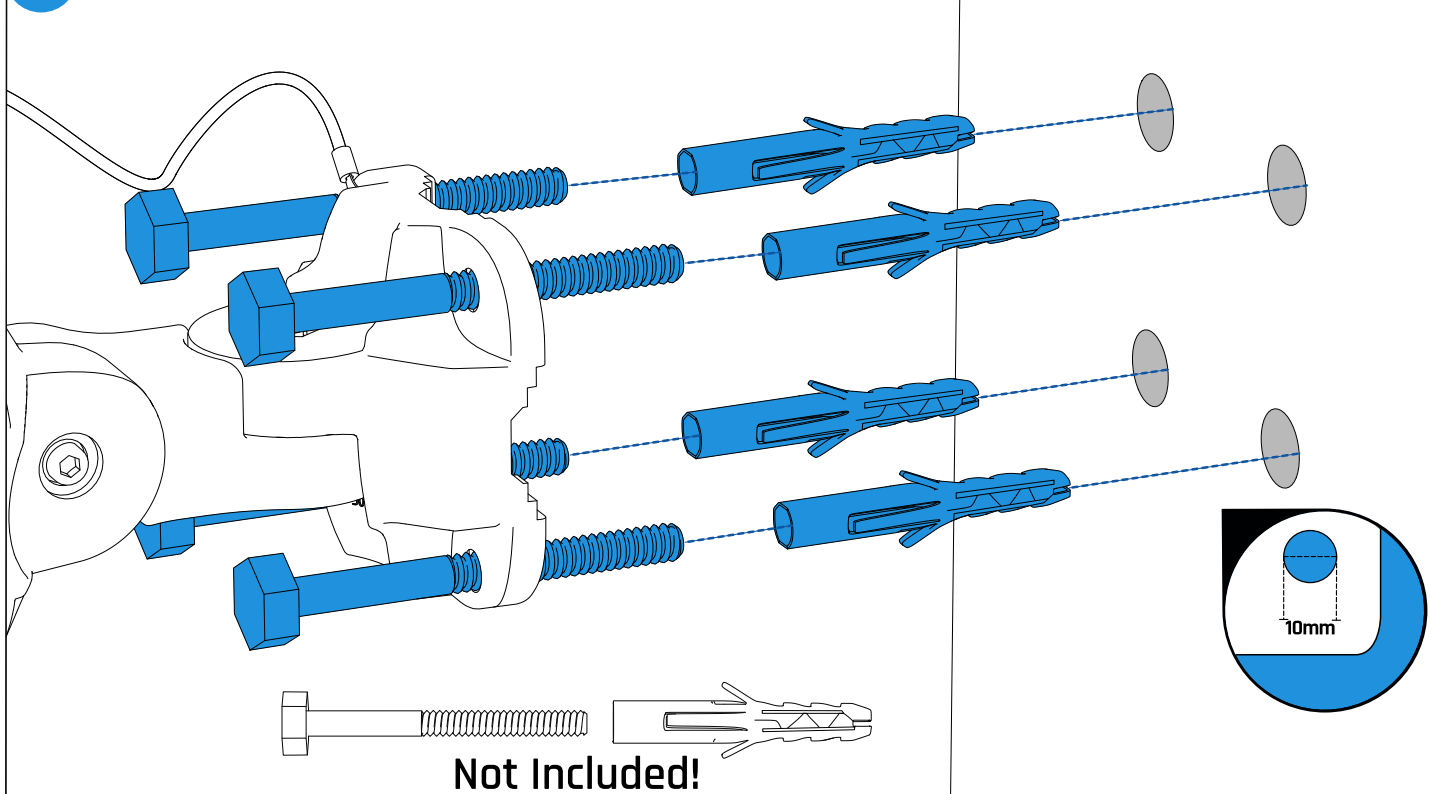


Mast and Wall Installation

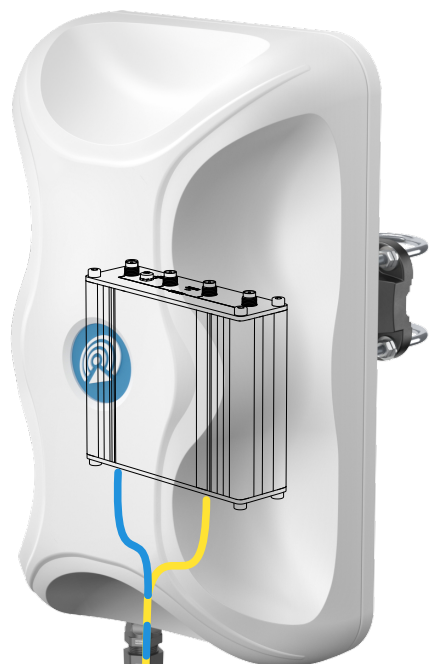
10_a MAST - Standard



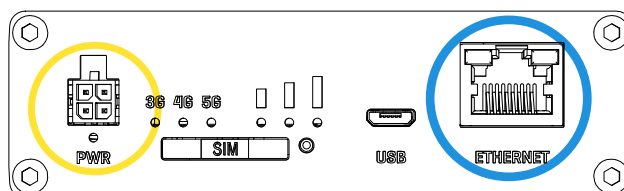
10_b WALL



11 POE Power Supply - STANDARD



Please note that TRB500 do NOT support PoE on the LAN port



Please note that:

- Teltonika routers are NOT COMPLIANT with the IEEE 802.3af-2003 standard; powering the device from an IEEE 802.3af-2003 power supply will damage the device as it is not rated for input voltages of the PoE standard.
- Teltonika routers NOT COMPLIANT with the IEEE 802.3at standard; it cannot power other devices over Ethernet.

For power supply, you can use any Gigabit Passive PoE power supply with a voltage of 9-30V in the case of TRB500.

You can use, for example, a power supply from our offer: [QuPSU GP241](#)

Please note that the Passive PoE power supply is not included.



LAN AC