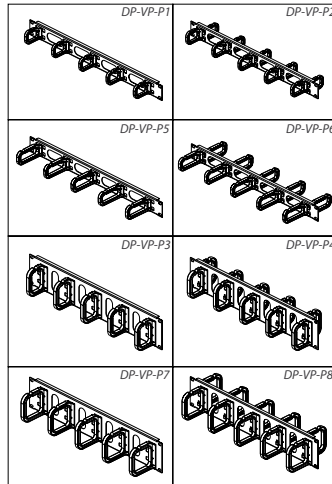
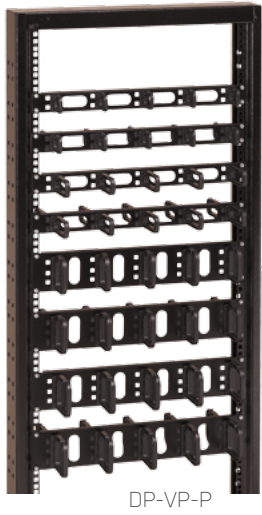


# STANDARD CABLE MANAGEMENT

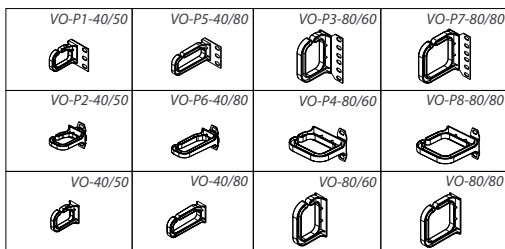
## 19" WIRE MANAGEMENT PANELS WITH PLASTIC BRACKETS



- Used for storing and managing cables horizontally within the rack
- Height: 1U or 2U
- Available in "front only" and "front and rear" variables
- 5 plastic brackets per side
- Oval openings in panel allow front to rear cabling
- Color: powder-coated RAL 9005; black brackets

Code	H (in U)	Type	Hook sizes HxD (mm)	Number of brackets	Package
DP-VP-P1	1	Front only	40x50	5	1 pc
DP-VP-P2	1	Both sides	40x50	10	1 pc
DP-VP-P3	2	Front only	80x60	5	1 pc
DP-VP-P4	2	Both sides	80x60	10	1 pc
DP-VP-P5	1	Front only	40x80	5	1 pc
DP-VP-P6	1	Both sides	40x80	10	1 pc
DP-VP-P7	2	Front only	80x80	5	1 pc
DP-VP-P8	2	Both sides	80x80	10	1 pc

## PLASTIC CABLE BRACKETS



- Mounted on 19" vertical extrusions for management of horizontal and vertical cabling within the rack
- Types:
  - a) For managing vertical cables
  - b) For managing horizontal cables
- Equipped with metal flange for installing onto 19" vertical extrusions
- Color: powder-coated RAL 9005; black brackets

Code	H (mm)	D (mm)	Orientation	Package
VO-P1-40/50	40	50	Horizontal	10 pcs
VO-P2-40/50	40	50	Vertical	10 pcs
VO-P3-80/60	80	60	Horizontal	10 pcs
VO-P4-80/60	80	60	Vertical	10 pcs
VO-P5-40/80	40	80	Horizontal	10 pcs
VO-P6-40/80	40	80	Vertical	10 pcs
VO-P7-80/80	80	80	Horizontal	10 pcs
VO-P8-80/80	80	80	Vertical	10 pcs