

RP-TNC Plug Crimp LMR-100, RG-174, RG-316

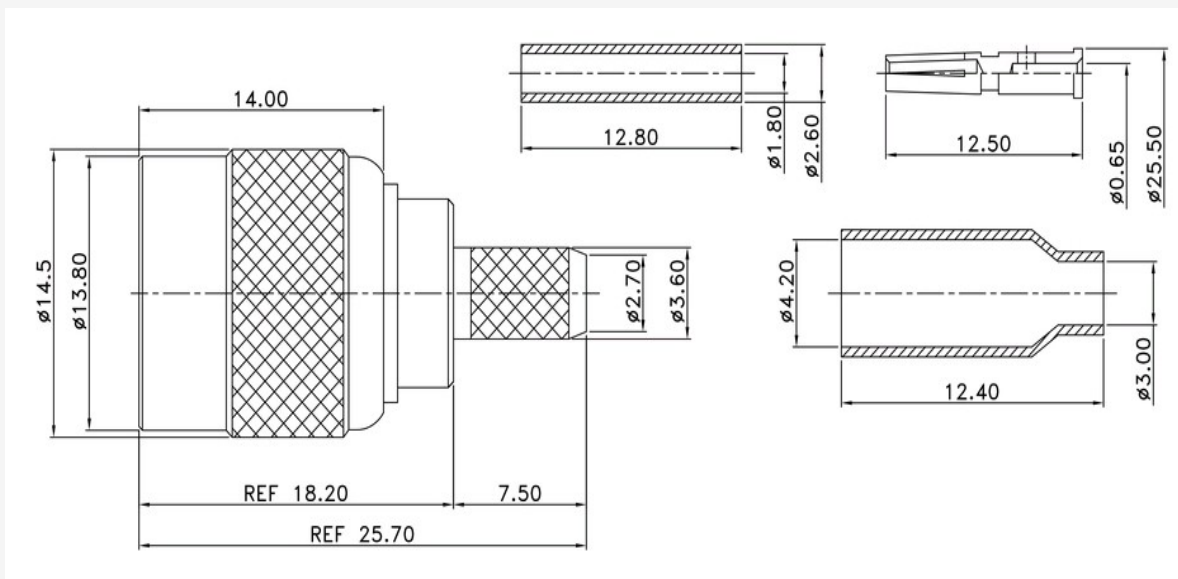
EZ-RPTNCP100

RP-TNC Plug Crimp connector for LMR-100, RG-174, RG-316 series cable.

RP-TNC Series coaxial connectors are medium-sized, threaded coupling connectors designed for use from DC to 11 GHz.

Their consistently low broadband VSWR have made them popular over the years in many applications.

The RP-TNC series connector is impedance matched to 50 ohm cables.



TECHNICAL SPECIFICATIONS

Impedance	50 ohm
Frequency Range	0 to 11.0 GHz
V.S.W.R.	1.3 max
Working Voltage	1,000 volts rms max at sea level
Dielectric Withstanding Voltage	2,500 volts rms max at sea level
Contact Resistance	Center contact=1.0 Milliohms max
Contact Resistance	Outer contact=1.0 Milliohms max
Insertion Loss	0.3 dB max at 10 GHz
Insulation Resistance	5,000 Megohms min
Body (Material/Finish)	Brass/Nickel
Contact (Material/Finish)	Bronze/Gold
Crimp Tube (Material/Finish)	Annealed Copper/Nickel
Dielectric	Teflon

Connector

RP-TNC



Female Thread

Female Center Pin

Additional Images

