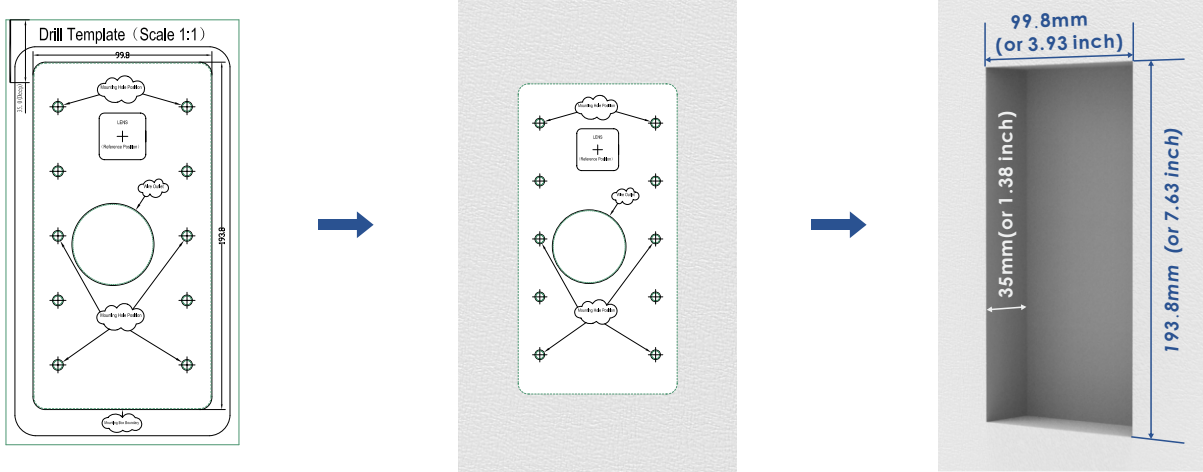


Solid Wall Installation

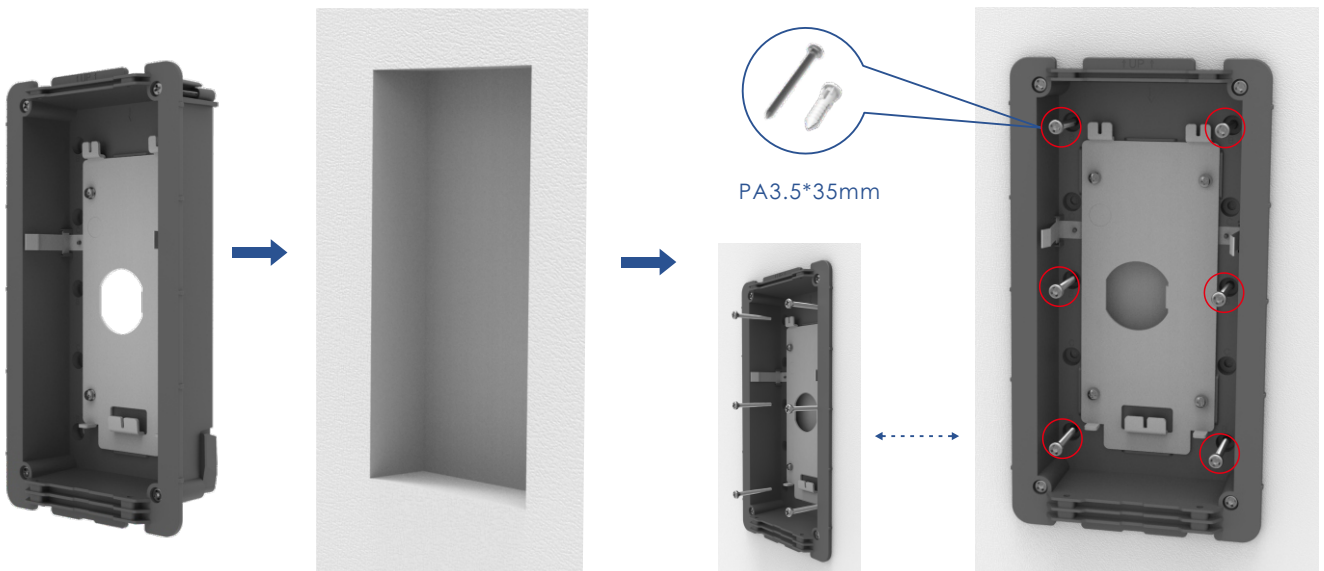
Step 1:



Step 2:



Step 3:



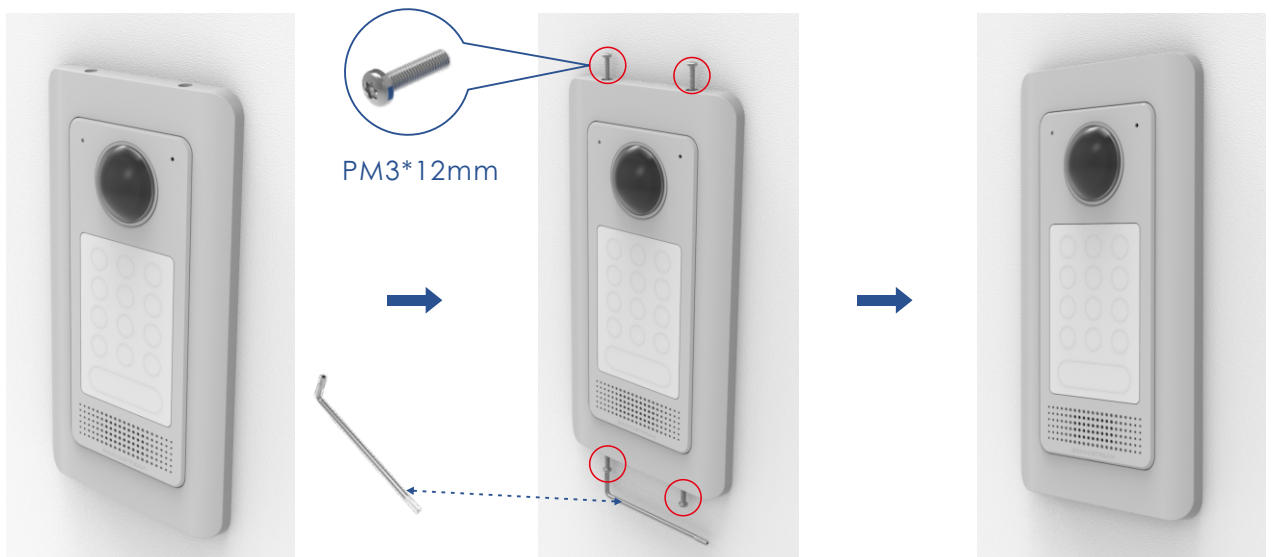
Step 4:



Step 5:



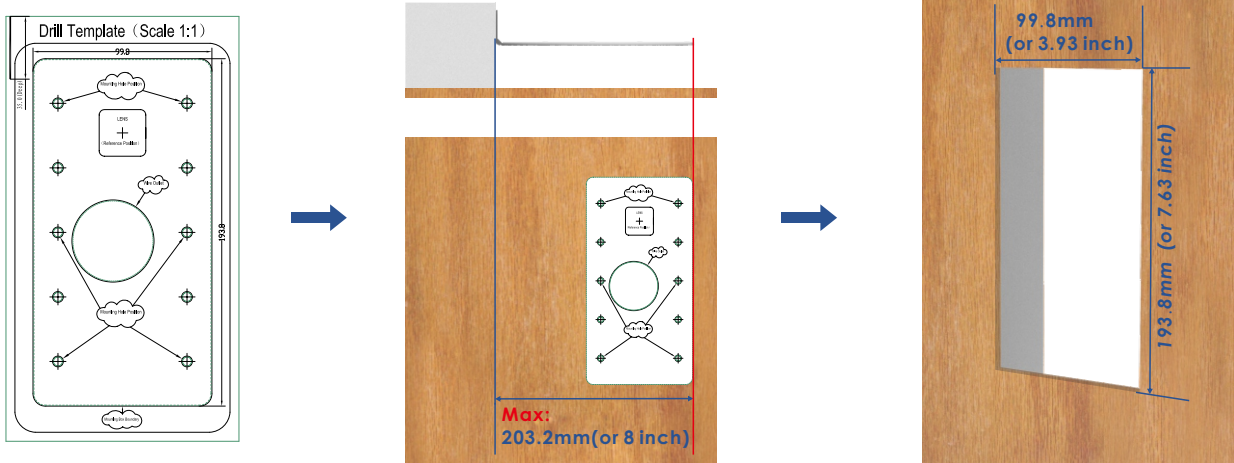
Step 6:



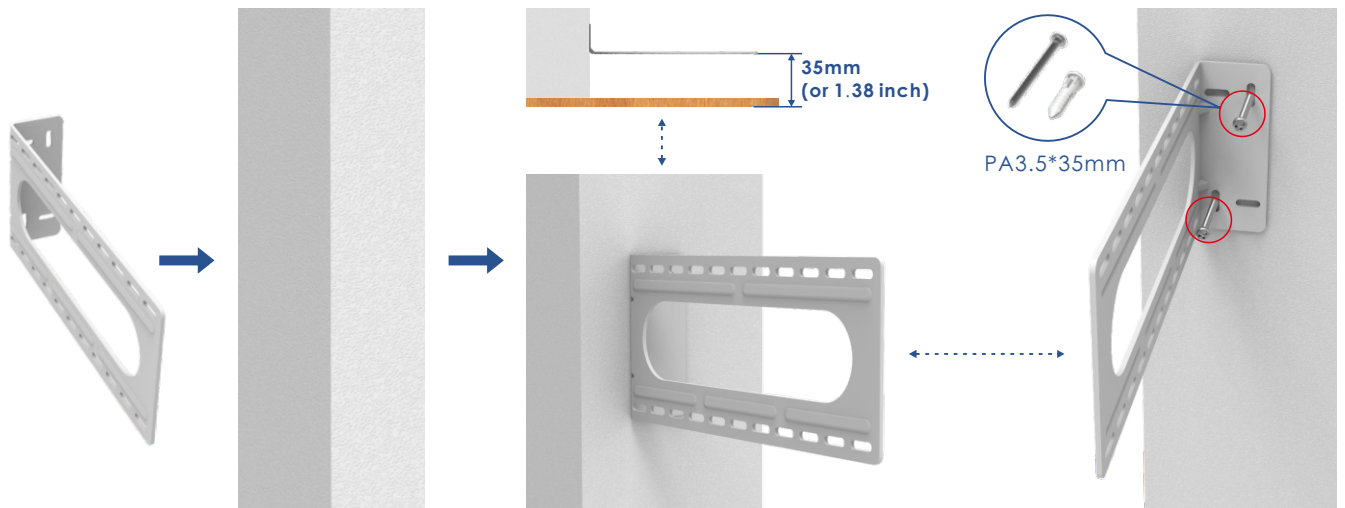
Stud Installation

For a new building open wall, or a finished wall.

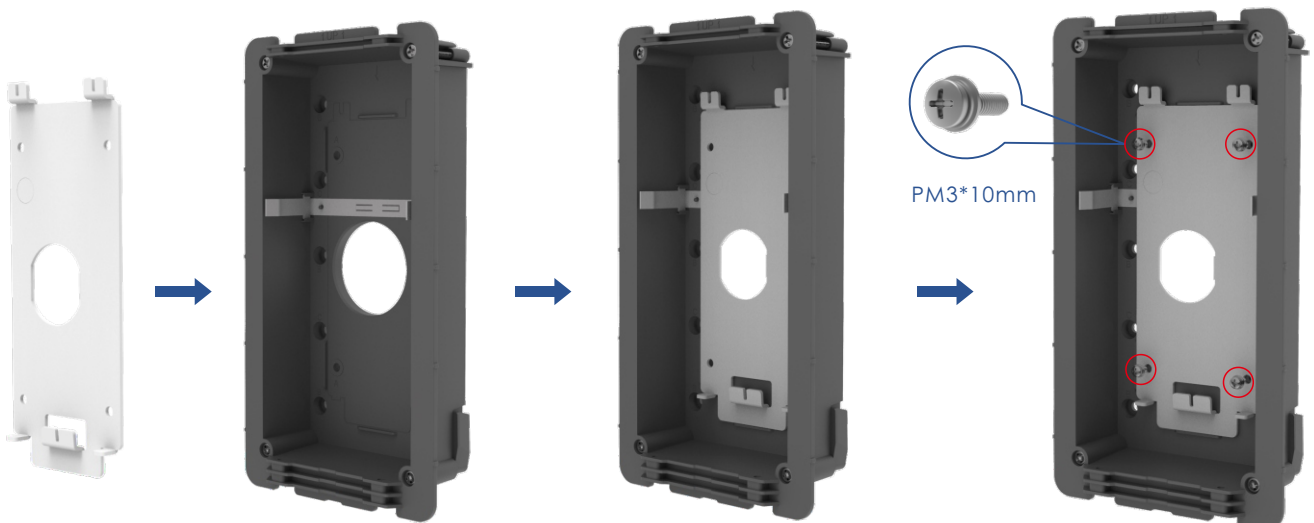
Step 1: For finished wall, use provided Drill Template to mark boundary and dig a rectangle hole into the wall. For open wall, skip and go to next step.



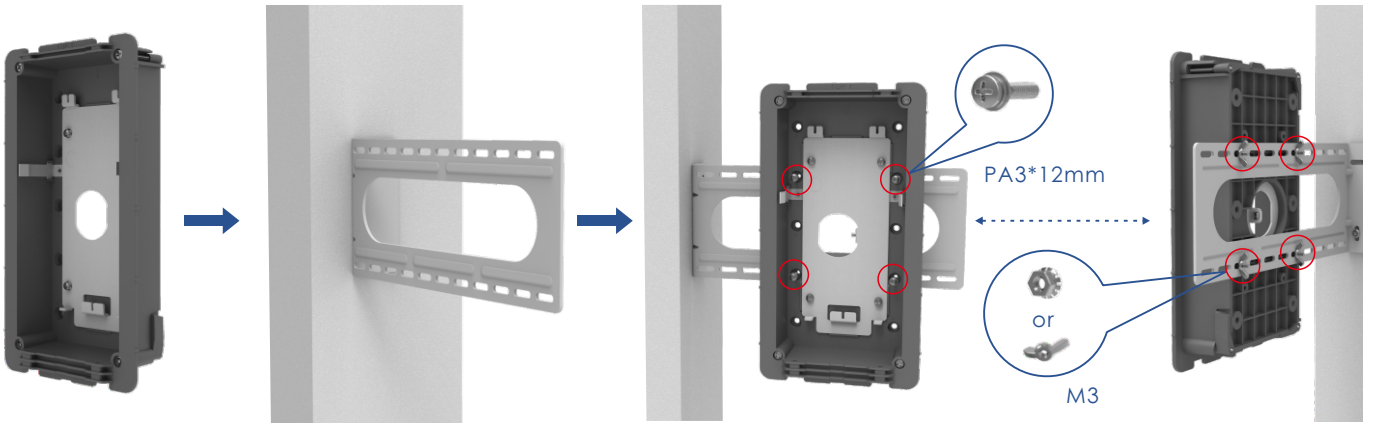
Step 2:



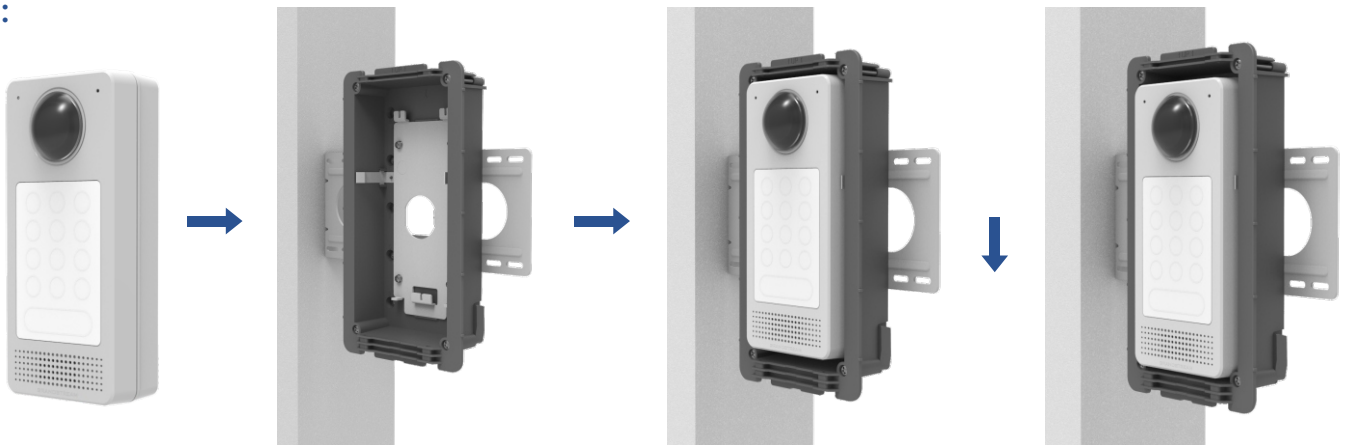
Step 3:



Step 4:



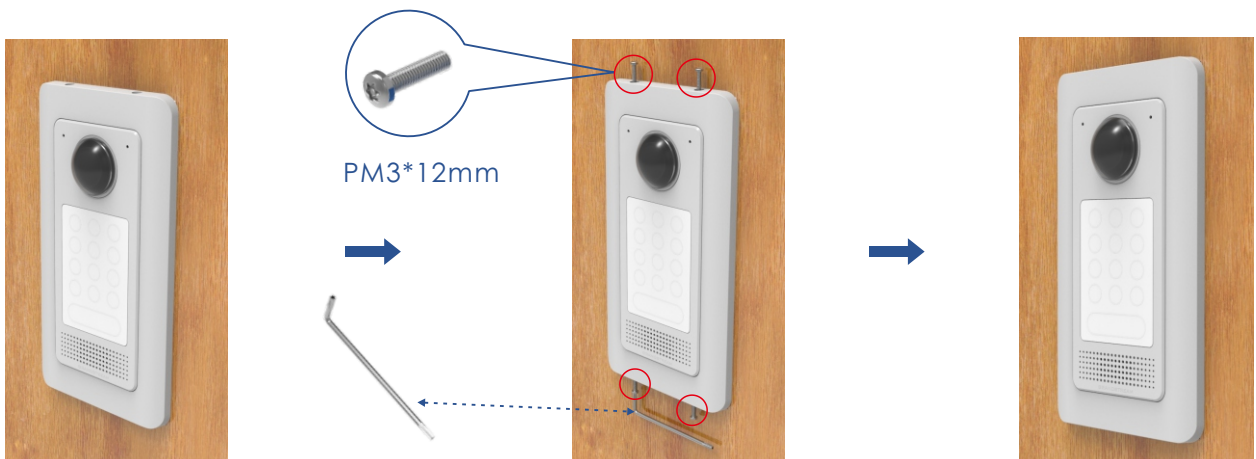
Step 5:



Step 6:



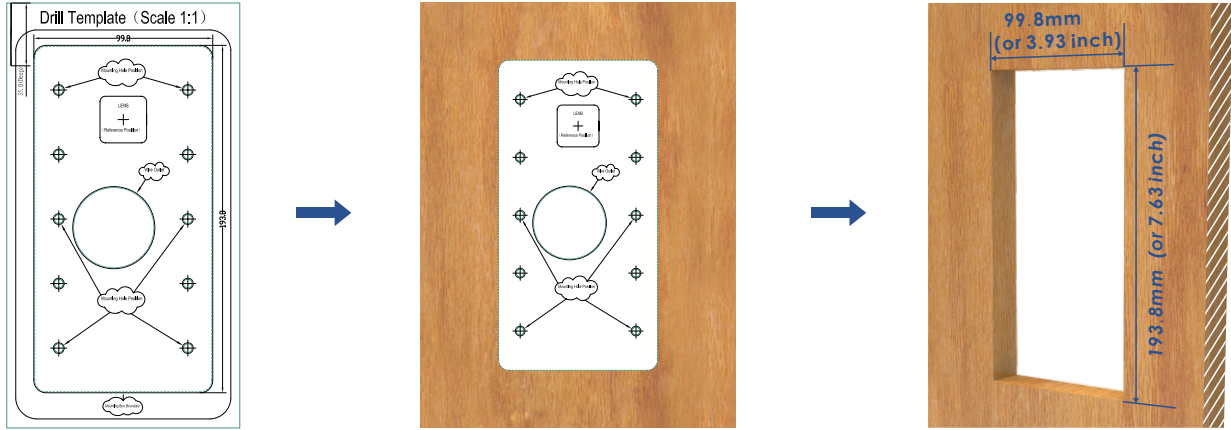
Step 7:



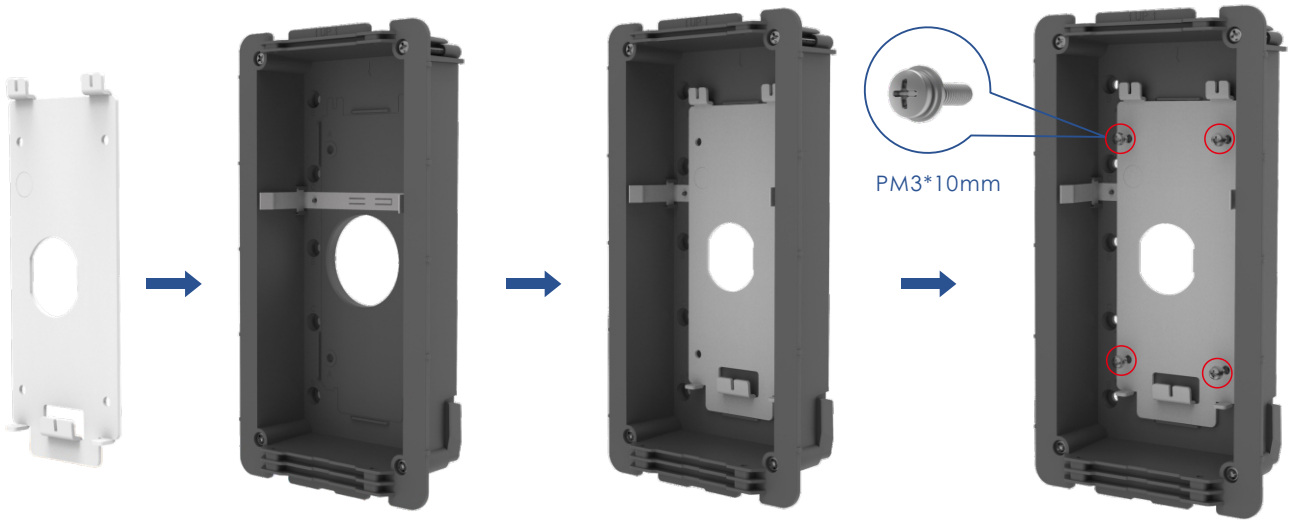
Drywall (Hollow Wall) Installation

The thickness is among 6.2 ~ 24 mm (or 0.24 ~ 0.94 inch).

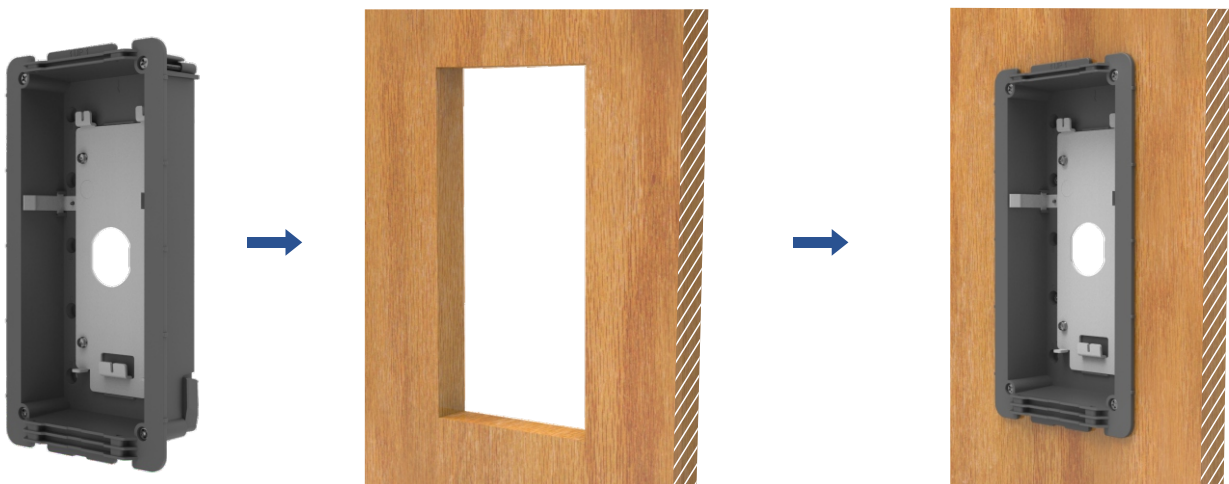
Step 1:



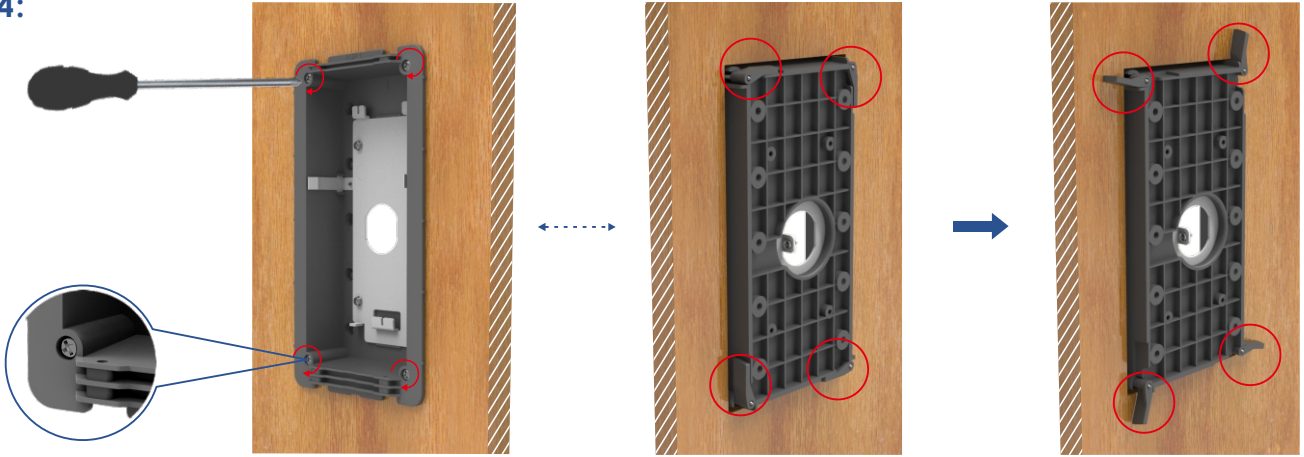
Step 2:



Step 3:



Step 4:



Step 5:



Step 6:



Step 7:

